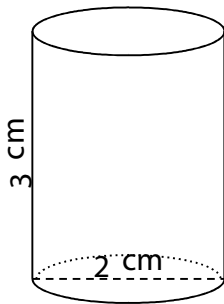


Name : Class :

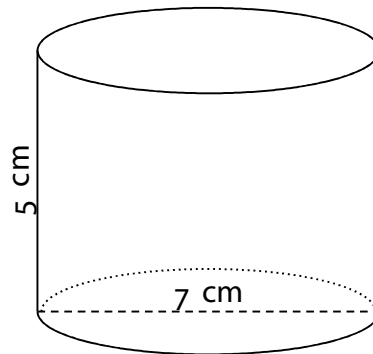
Calculating the surface area and the volume of cylinders

Find the surface area and the volume of each cylinder.

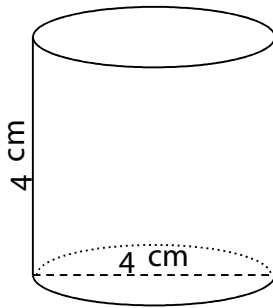
1.



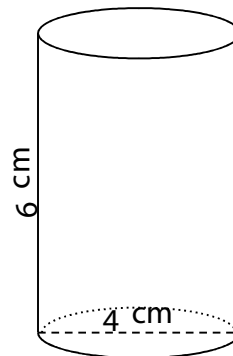
2.



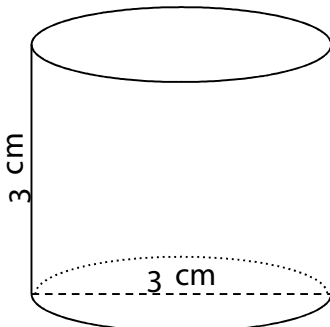
3.



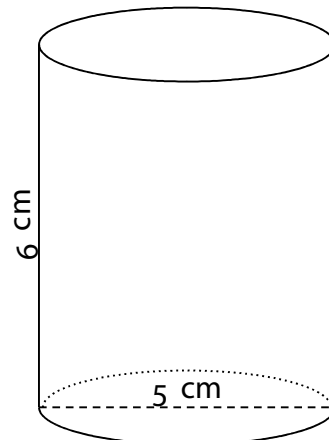
4.



5.



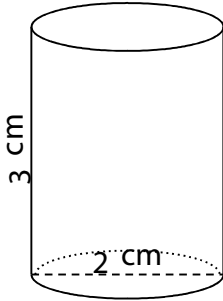
6.



ANSWER SHEET

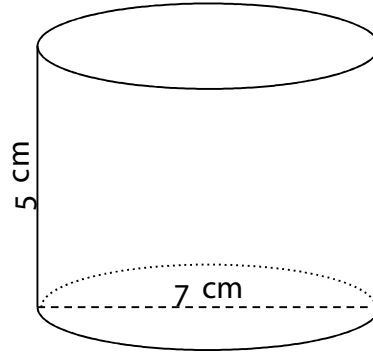
Find the volume.

1.



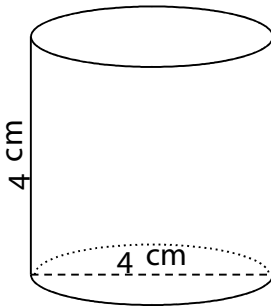
$$V = 9 \text{ cm}^3 \quad SA = 25 \text{ cm}^2$$

2.



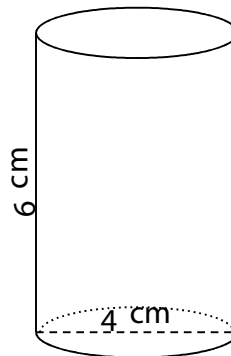
$$V = 192 \text{ cm}^3 \quad SA = 187 \text{ cm}^2$$

3.



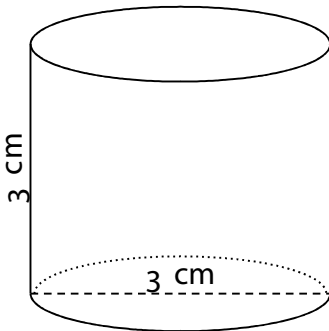
$$V = 50 \text{ cm}^3 \quad SA = 75 \text{ cm}^2$$

4.



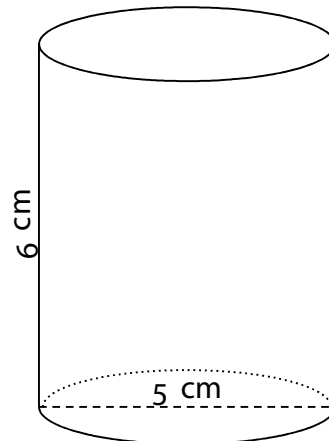
$$V = 75 \text{ cm}^3 \quad SA = 101 \text{ cm}^2$$

5.



$$V = 21 \text{ cm}^3 \quad SA = 42 \text{ cm}^2$$

6.



$$V = 118 \text{ cm}^3 \quad SA = 134 \text{ cm}^2$$