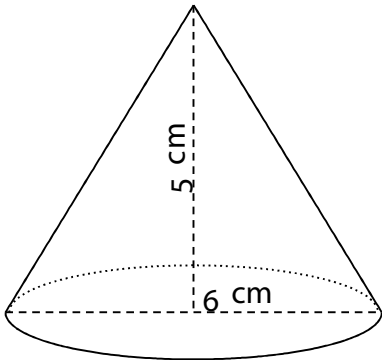


Name : Class :

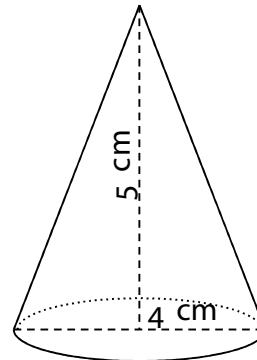
Calculating the surface area and the volume of cones

Find the surface area and the volume of each cone.

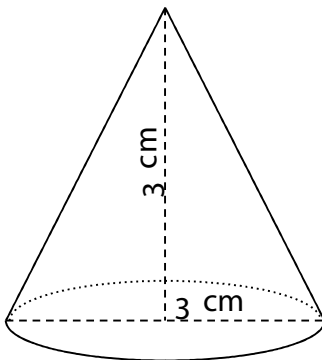
1.



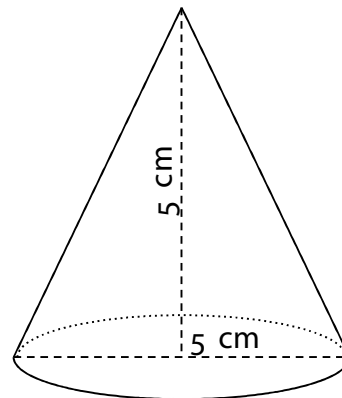
2.



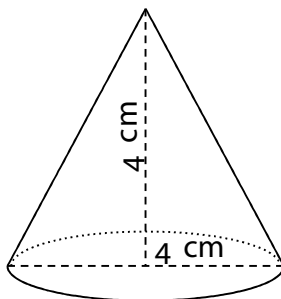
3.



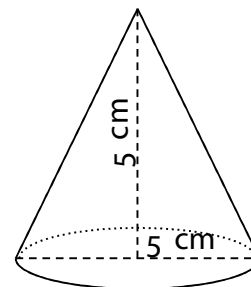
4.



5.



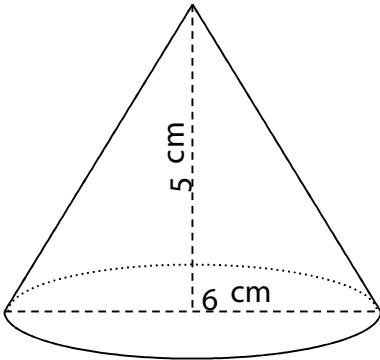
6.



ANSWER SHEET

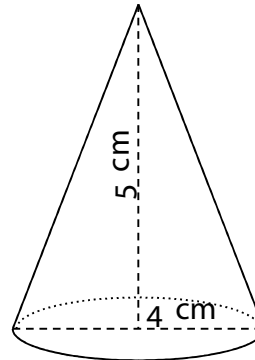
Find the volume.

1.



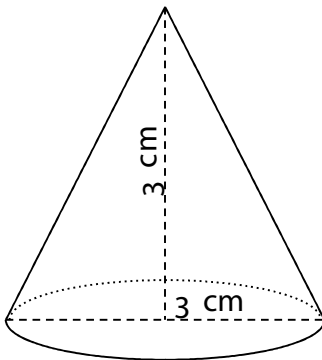
$$V = 47 \text{ cm}^3 \quad SA = 83 \text{ cm}^2$$

2.



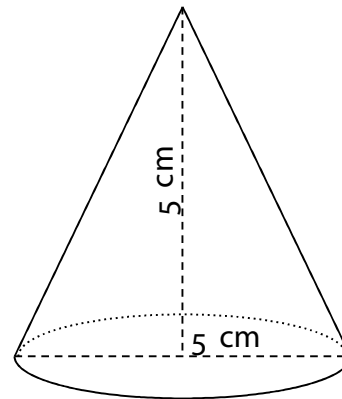
$$V = 21 \text{ cm}^3 \quad SA = 46 \text{ cm}^2$$

3.



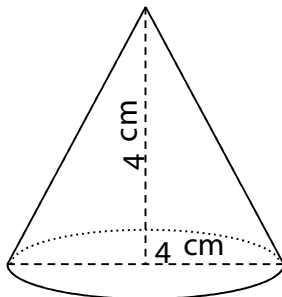
$$V = 7 \text{ cm}^3 \quad SA = 23 \text{ cm}^2$$

4.



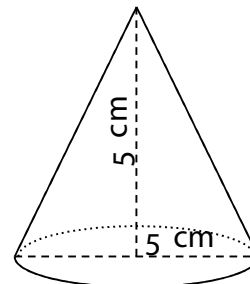
$$V = 33 \text{ cm}^3 \quad SA = 64 \text{ cm}^2$$

5.



$$V = 17 \text{ cm}^3 \quad SA = 41 \text{ cm}^2$$

6.



$$V = 33 \text{ cm}^3 \quad SA = 64 \text{ cm}^2$$