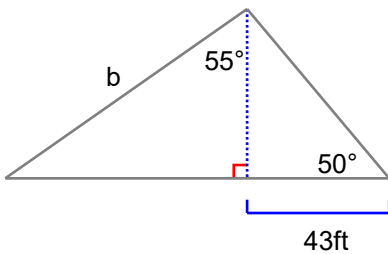


Name : Class :

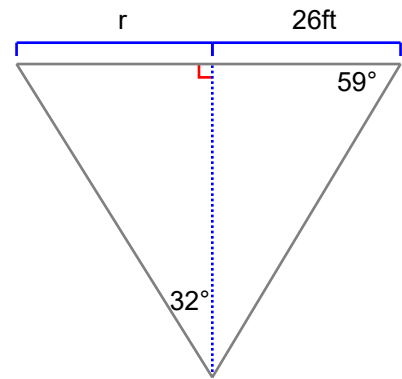
Multi-steps trigonometric problem solving worksheets

Find the side indicated by the variable. Round to the nearest tenth.

1) $b = \underline{\hspace{2cm}}$ ft

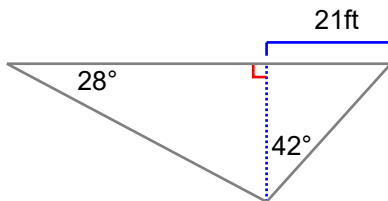


2) $r = \underline{\hspace{2cm}}$ ft

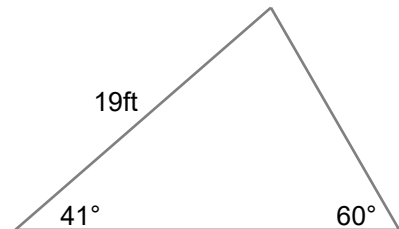


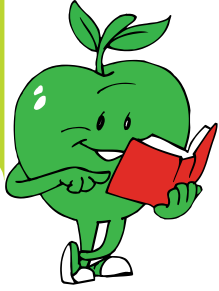
Find the area of each triangle. Round the intermediate and final values to the nearest tenth.

3) Area = $\underline{\hspace{2cm}}$ ft^2



4) Area = $\underline{\hspace{2cm}}$ ft^2



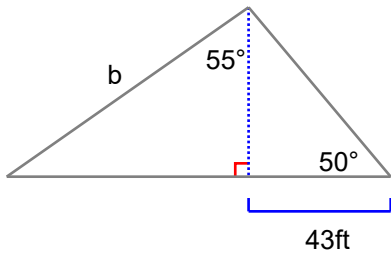


Name : Class :

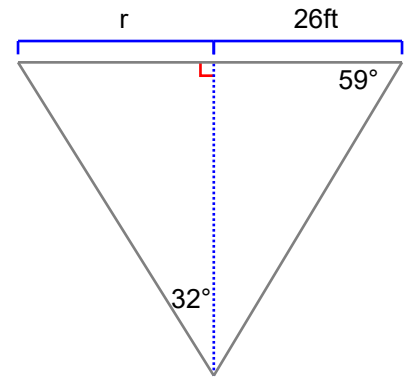
Answers

Find the variable side. Round the intermediate and final values to the nearest tenth.

1) $b = \underline{89.3}$ ft

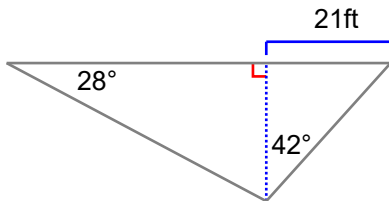


2) $r = \underline{27.0}$ ft



Find the area of each triangle. Round the intermediate and final values to the nearest tenth.

3) Area = $\underline{756.4}$ ft²



4) Area = $\underline{134.2}$ ft²

